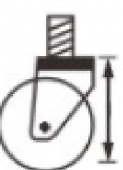








ROUE MEDICALE PIVOT + FREIN

Ref 620

 mm	 mm	 mm	 mm	 mm			 kg
170	127x32		40	∅28			120

